



**MINIBAR AD ASSORBIMENTO  
ABSORPTION MINIBAR  
SISTEMA REFRIGERANTE POR ABSORCIÓN  
MINIBAR A ABSORPTION  
ABSORBER MINIBAR**

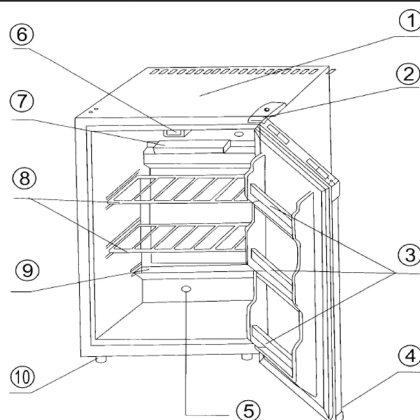
***ABM32-1***

***ABM42-1***

**ISTRUZIONI PER L'USO  
USER INSTRUCTIONS  
INSTRUCCIONES PARA EL USO  
INSTRUCTIONS D'UTILISATION  
BETRIEBSANLEITUNG**

TECHNICAL DATA	MODEL	
	ABM 32-1	ABM 42-1
Refrigerated compartment	24 L	32 L
Dimensions (HxWxD)	490 x 400 x 420 mm	557 x 400 x 440 mm
Voltage	230 V - 50 Hz	230 V - 50 Hz
Power consumption	70 W	70 W
Net weight	16 Kg	17.5 Kg
Classification of climate	N	N

1. Top
2. Hinge
3. Retainer
4. Lock (optional)
5. Thermostat
6. Lamp
7. Ice tray
8. Shelves
9. Water tray
10. Feet



**GENERAL INFORMATION**

All the minibars in the ABM range work on the absorption system guaranteeing absolute silence and reliability with no moving mechanical parts.

**INSTRUCTIONS**

The minibars cannot be installed in the open, even if they are covered by a canopy.  
 When connecting the minibar do not use multi-socket extensions and make sure that the cable does not kink or become compressed if the minibar is being fitted between other elements of furniture. Avoid contact with the back of the minibar, as there is a residual risk of burns if you touch hot parts and injuries if you touch metal elements.  
 Remember that any cleaning or maintenance work should only be carried out after the minibar has been disconnected from the mains.  
 Only if the appliance is correctly installed will it give the best possible performance and reliability. If the minibar is to work satisfactorily, it must be installed on a completely level surface and properly ventilated.  
 The Manufacturer shall not be responsible for any injuries to persons or damage to property and/or the minibar itself, which are the result of any installation not complying with the installation procedure shown in this manual.

**ENGLISH****WARNING!**

Please built the minibars into the cabinet if the minibars are without back protection.

**WARNING!**

Please keep the products away from the fire or similar glowing substance before you dispose the refrigerator.

**WARNING!**

The appliance cannot be used in public transportation.

**WARNING!**

Young children should be supervised to ensure that they do not play with the appliance.

**WARNING!**

The appliance is not intended for use by young children or infirm persons unless they have been adequately supervised by a responsible person to ensure that they can use the unit safely.

## INSTALLATION

To make sure the minibar is correctly installed it is advisable to:

- ensure it is set on a completely level surface
- guarantee that the refrigeration unit is ventilated by practising opening for the entry and exit of the air.
- the unit is installed by the supervisor
- figure of installation (as figure on page 8).

## VENTILATION

The absorption refrigeration system gives off heat and requires a good level of ventilation and must be placed in a well-ventilated environment. The minibar should be installed in an environment with an opening to provide the necessary change of air and under no circumstances should the grills, which provide good ventilation for the appliance, be covered or blocked. Also remember never to set the unit in an area directly exposed to sunlight or near other sources of heat.

Some space of the surrounding furniture should be left free for the minibar ventilation, showed by figures (as figure on page 8).

## THERMOSTAT

In position "OFF" the thermostat is switched off. "OFF" means minibar stopped. From "1" to "9" the thermostat works; "9" corresponds to the lowest temperature.

## ELECTRICAL CONNECTION AND EARTHING

Before connecting the plug to the mains, make sure the mains voltage corresponds to that shown on the rating plate (located inside the minibar)and that the socket has a normal earthed system as required by safety regulations for electrical systems.

The electrical socket must also be able to support the maximum power loading of the appliance indicated on the plate itself.

**Note:** It is necessary to plug the power cable to swich on the unit.

**WARNING!**

If the socket is not fitted with an earthed system or if multiple sockets or adapters are used, the manufacturer shall not be liable for any injuries to persons or damage to property and/or the minibar itself.

**WARNING!**

The user must always be able to access the plug.

**WARNING!**

If the lamp (LED) and power cord is damaged, it must be replaced by the manufacturer or its service agent or a similarly qualified person in order to avoid a hazard.

**WARNING!**

If you dispose the fridge, you must take off the front door.

**MAINTENANCE**

Regularly clean the inside and outside of the refrigerator using only warm water and a neutral detergent. Subsequent to washing, rinse with clean water and dry thoroughly using a soft cloth.

Do not use the following: special glass and mirror cleaning products, liquid, powder, or spray detergents, alcohol, ammonia or abrasive products.

After a long period of use, make sure that both the rear and lower grills are not blocked by dust.

When the system is not in use, we recommend you carefully dry the inside and leave the cover half-open to ventilate the inside.

**WARNING!**

The refrigerator should be cleaned and maintained once a month, before cleaning or maintaining, be sure to unplug the refrigerator.


**In the event of failure or a technical fault, make sure that**

- a) the plug is correctly plugged into the mains socket;
- b) the mains voltage corresponds to the voltage shown on the TECHNICAL DATA table;
- c) the fridge is not near sources of heat or exposed to sunlight.

**DISPOSAL TO MANAGE THE WASTE**

This appliance is marked according to the European directive 2002/96/EC on Waste Electrical and Electronic Equipment (WEEE). By ensuring this product is disposed of correctly, you will help prevent potential negative consequences for the environment and human health, which could otherwise be caused by inappropriate waste handling of this product.



The symbol  on the product, or on the documents accompanying the product, indicates that this appliance may not be treated as household waste. Instead it shall be handed over to the applicable collection point for the recycling of electrical and electronic equipment. Disposal must be carried out in accordance with local environmental regulations for waste disposal. For more detailed information about treatment, recovery and recycling of this product, please contact your local city office, your household waste disposal service or the shop where you purchased the product.



**DIAGRAMS FOR A CORRECT INSTALLATION OF THE PRODUCT**

